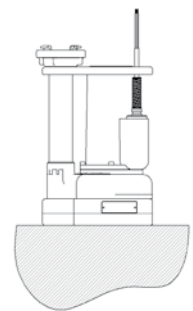


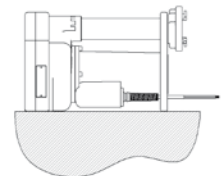
SUBMERSIBLE MOTOR PUMPS TEGERNSEE TEGERNSEE TP 4/1

ACCORDING TO DIN 14425

for soiled sewage and waste water
including solids



Basic position



Low level pumping

ADVANTAGES AT A GLANCE

- **Optimal mobility**
due to compact dimensions
and low weight of 25 kg
- **Capacity**
800 l/min at 0 bar
400 l/min at 1 bar
- **Maximum intake diameter**
up to 40 mm
- **Connector plug**
with motor protection switch and
temperature monitoring completely
in protection class IP68
- **Wear-resistant impeller**
made of cast iron (TP 4/1)
respectively aluminum bronze
- **Dry run capable**
due to dry and endurance run
suitable double mechanical seal
- **Trouble-free handling**
due to polyamide carrying handle
- **Effective low level pumping**
down to a few millimeters
depth by 90° turning
- **Continuous operation**
with 3 kVA DIN generators



TECHNICAL DESIGN

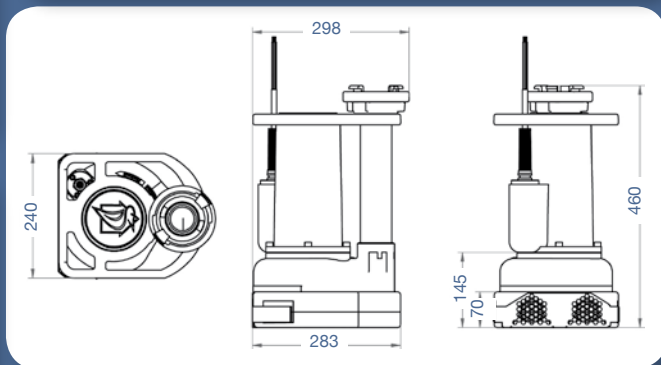
	Tegernsee TP4/1	Tegernsee
Shaft seal	Dry- and endurance run suitable double mechanical seal made of SiC/SiC and SiC/Kohle	
Impeller	Cast iron (EN-GJL-200)	Corrosion-free aluminum bronze (G-CuAl10Ni)
Connector plug	With 16 A shock-proof plug, lighted motor protection switch and temperature monitoring completely in protection class IP68	
Power cable	20 m heavy-duty cable with stainless steel bend protection, colour: yellow, simply changeable	
Cable type	H07RN-F (4G1,5)	H07RN8-F (4G1,5)
Carrying handle	made of polyamide with abseiling notch	
Pump base	POM (polyacetal)	
Housing	Saltwater-proof aluminum alloy (G-AlSi10Mg)	
Seals	NBR (mineral oil resistant)	
Screws	Stainless steel 1.4301	
Intake side	Detachable intake strainer (Stainless steel 1.4301)	No intake strainer



TEGERNSEE TP 4/1

ACCESSORIES

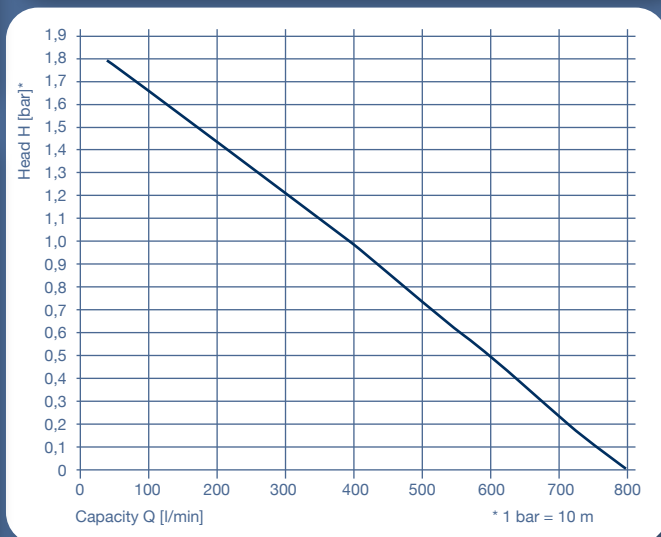
- PVC spiral hoses**
with B-Storz couplings
- Portable residual current device**
residual current 30 mA, pluggable or installed in the power cable
- 90° elbow**
for pump start in case of low water level
- Accessory pack**
with 3 or 5 m PVC spiral hose and 90° elbow



DIMENSIONS

TECHNICAL DATA

	Tegernsee TP 4/1	Tegernsee
Voltage U	1~ 230V	
Frequency f	50 Hz	
Power consumption P1	1,8 kW	
Protection class	IP68	
Nominal current I	8,0 A	
Connections	2"/B-Storz	
Weight	25 kg	
Intake diameter	Ø 8 mm with intake strainer Ø 40 mm without intake strainer	Ø 40 mm



CAPACITY HEAD TABLE

PERFORMANCE

Pump Performance											
Type	Head H [bar]	0	0,2	0,4	0,6	0,8	1,0	1,2	1,4	1,6	
Tegernsee	Capacity Q [l/min]	800	710	640	560	480	400	300	210	120	